


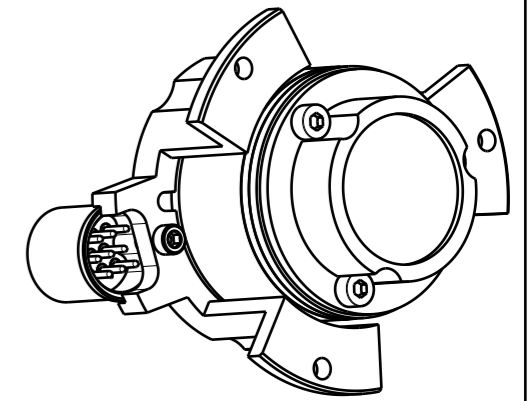
Vue isométrique  
Echelle : 2:1

(X3) CHC M3X8

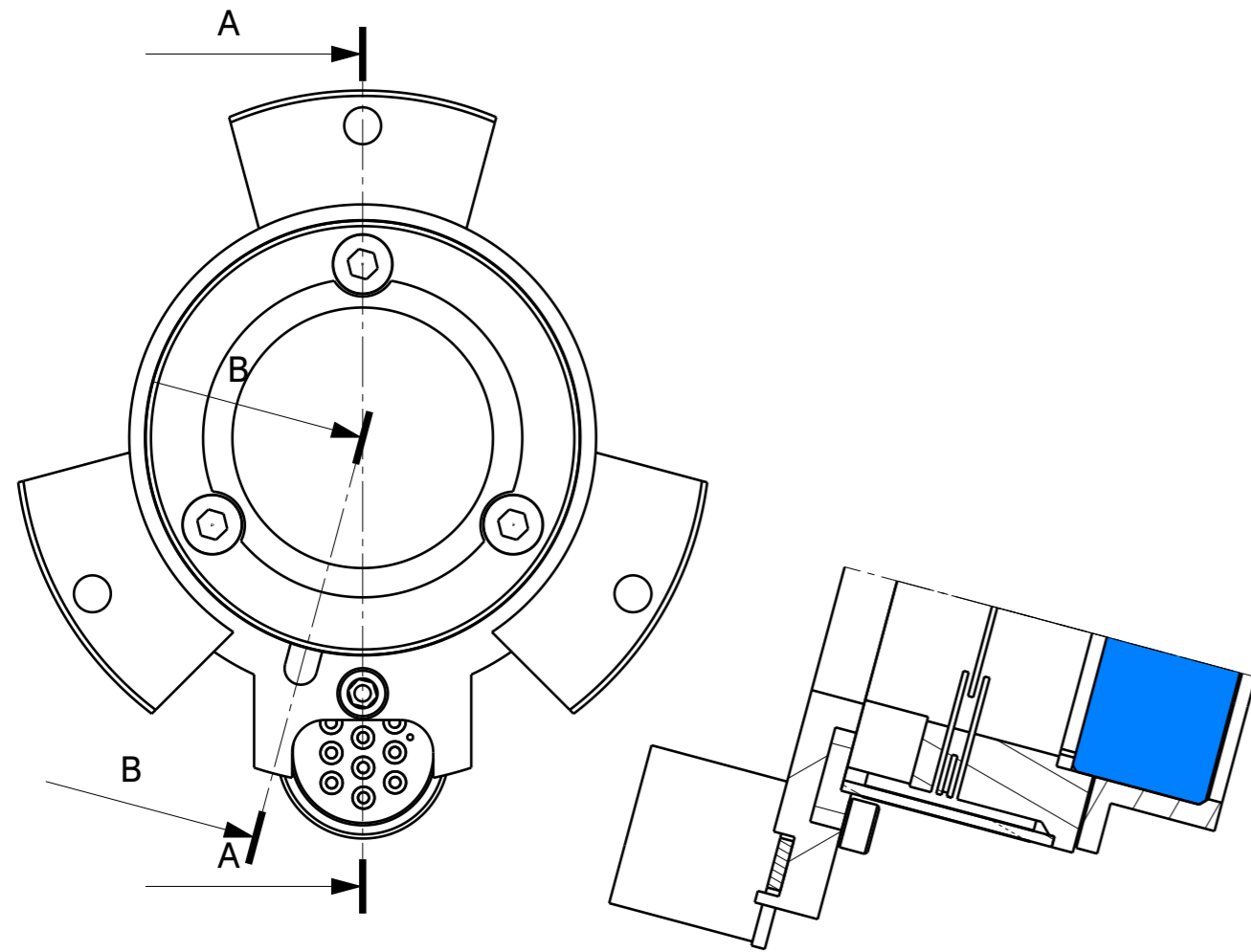
(X3) CHC M3X8

Vue isométrique  
Echelle : 2:1

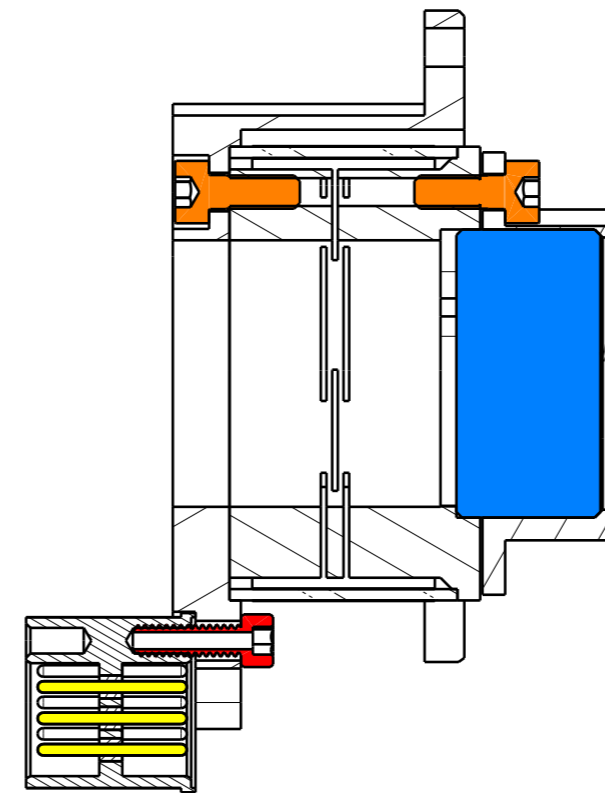
Ind.	Date	Modification		By
<p align="center"><b>THOM-X</b> Monture Piezo <b>Piezo Assembly (2/2)</b></p>		Gen. Tol.: -ISO 8015 -ISO 2768 class mH	Surface finish: -ISO 1302	Ra 1.6
		Material		
Drawn by		Dylan Le Claire	22/06/2017	
Checked by		Yann Peinaud	22/06/2017	
Approved by				
Scale		2/1	I74-3E-OC-027	Index A
 <p>LABORATOIRE DE L'ACCELERATEUR LINEAIRE Bat. 208, BP 34, 91898 ORSAY CEDEX Tel. +33 1 64 46 83 00</p>		<p>Communication or reproduction of this document, under any form, or any direct or indirect use of its content for production or other purposes is illegal without prior written authorization by its owner: the Centre National de la Recherche Scientifique. All rights reserved for patent or model application.</p>		



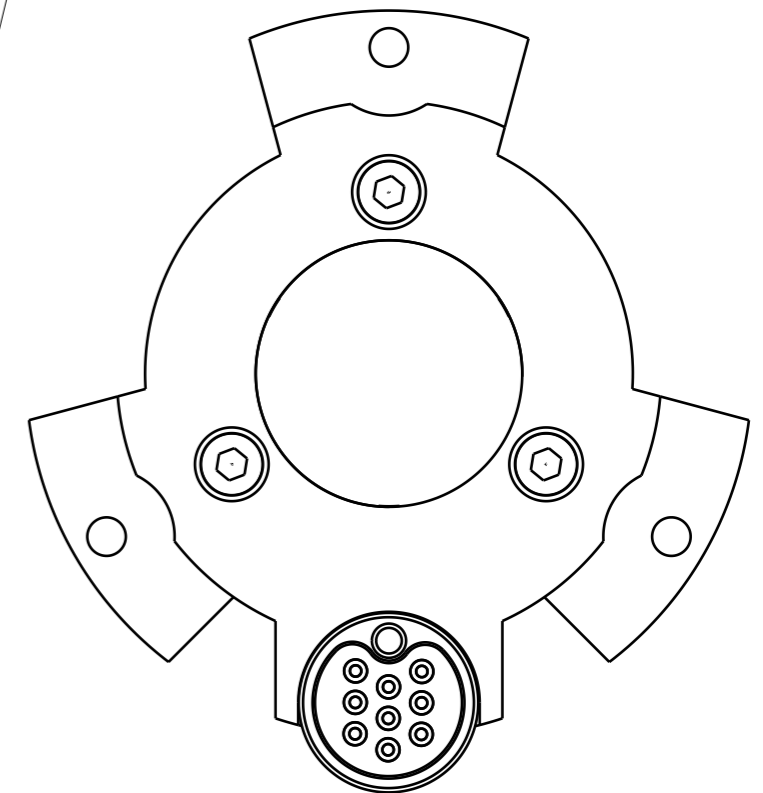
Miroir  
 épaisseur: 1/2"  
 diamètre: 1"





Coupe B-B



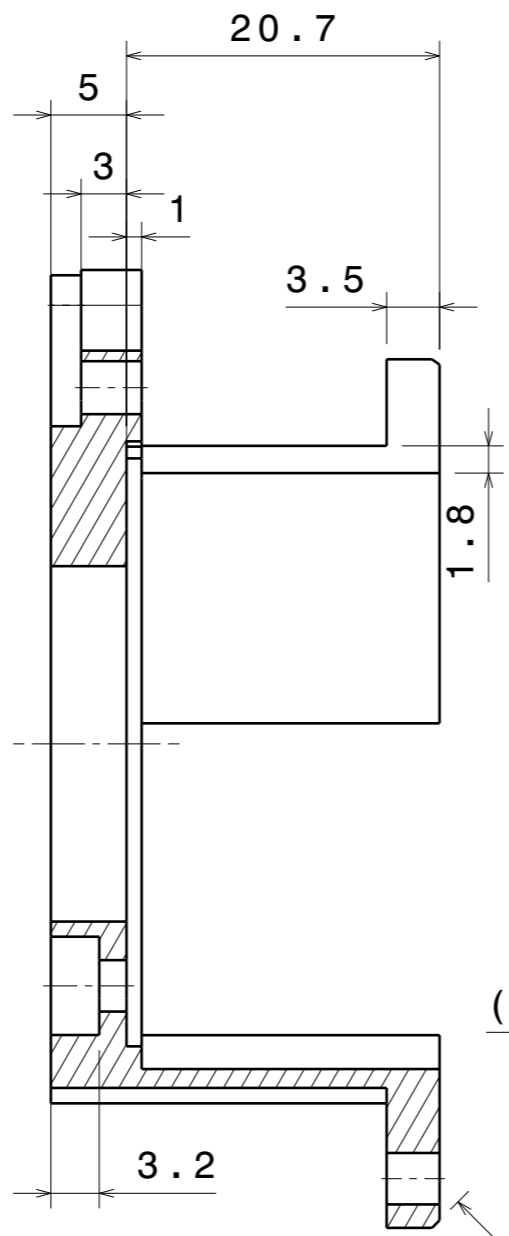
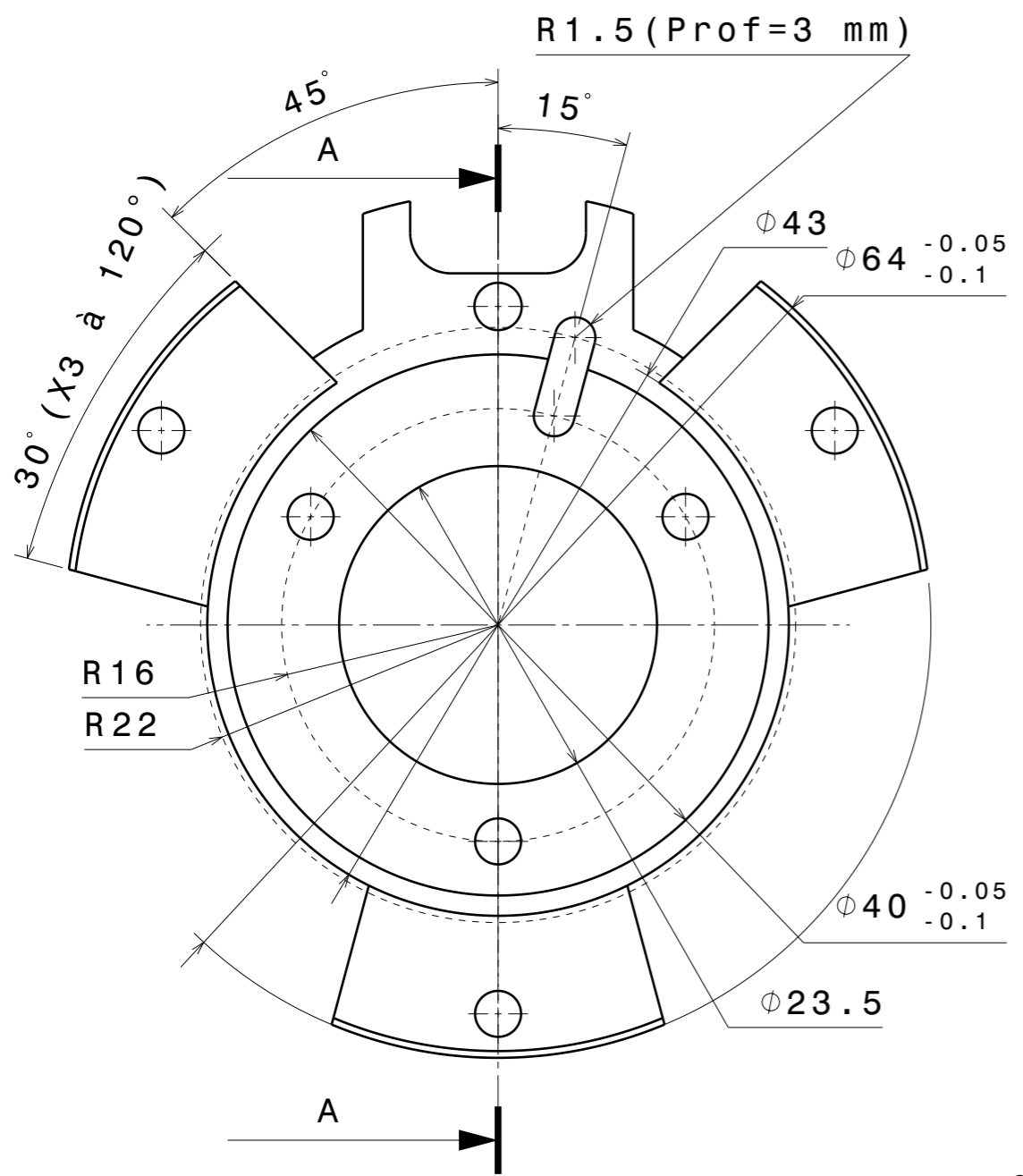
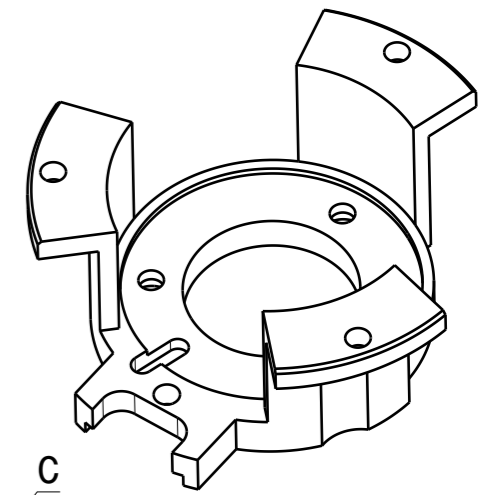
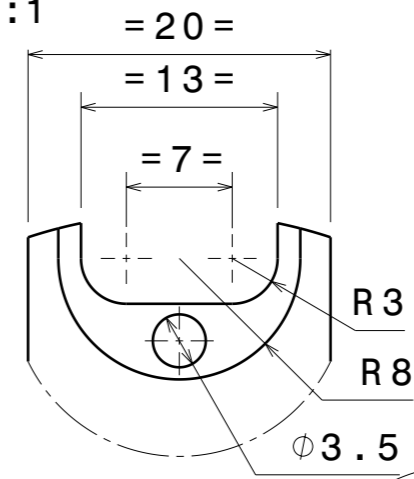
Coupe A-A



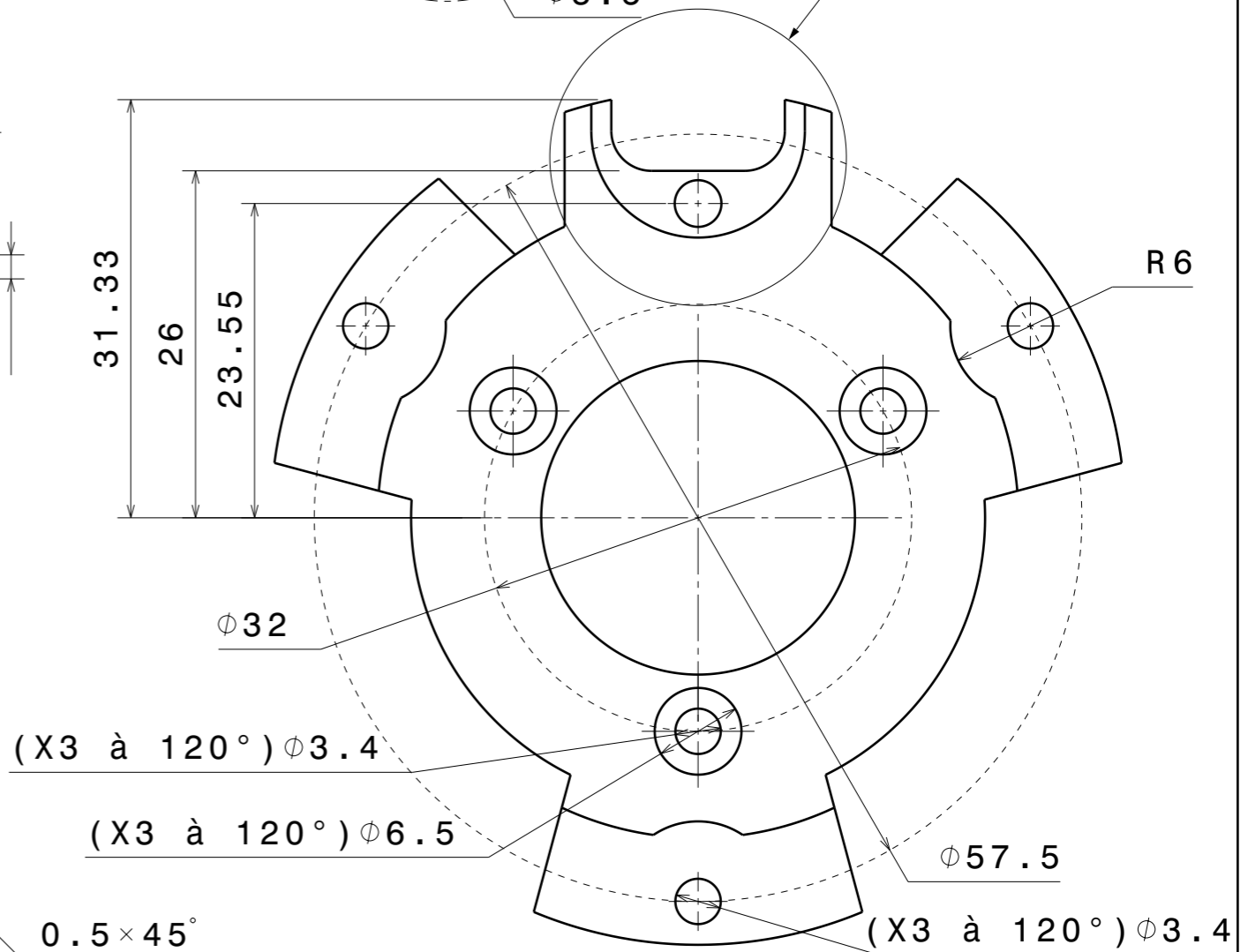
Ind.	Date	Modification		By
 <b>THOM-X</b> Monture Piezo Piezo Assembly (1/2)		Gen. Tol.: -ISO 8015 -ISO 2768 class mH	Surface finish: -ISO 1302	Ra 1.6
		Material		
Drawn by		Dylan Le Claire	22/06/2017	
Checked by		Yann Peinaud	22/06/2017	
Approved by				
 <b>LABORATOIRE DE L'ACCELERATEUR LINEAIRE</b> Bat. 208, BP 34, 91898 ORSAY CEDEX Tel. +33 1 64 46 83 00		Scale	I74-3E-OC-027	Index
		3/2		A



Communication or reproduction of this document, under any form, or any direct or indirect use of its content for production or other purposes is illegal without prior written authorization by its owner: the Centre National de la Recherche Scientifique. All rights reserved for patent or model application.

Détail C  
Echelle : 2:1

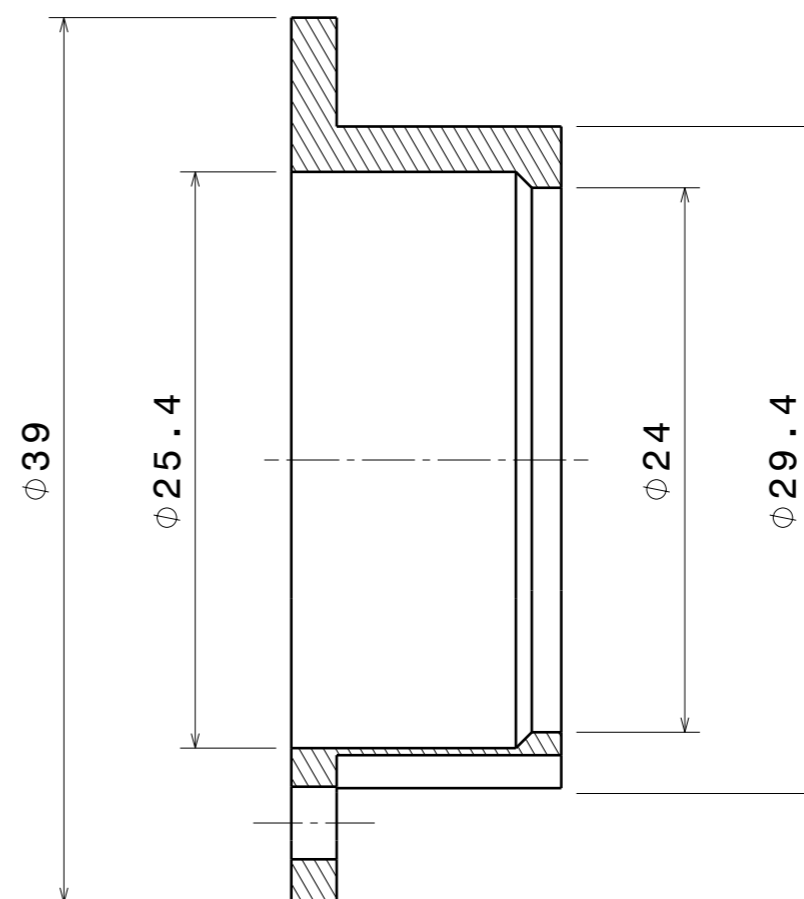
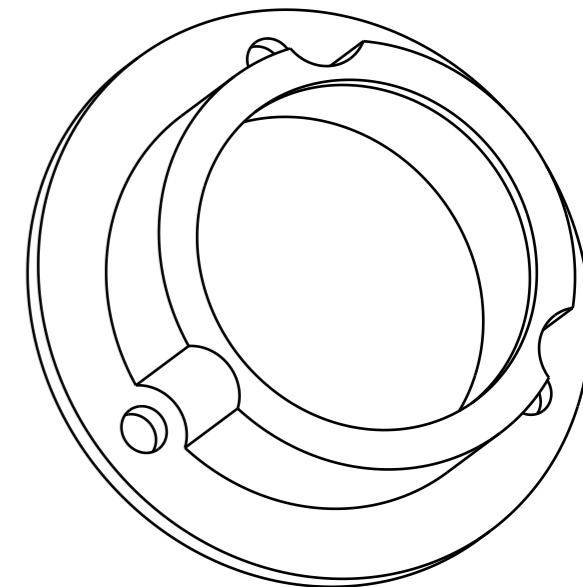
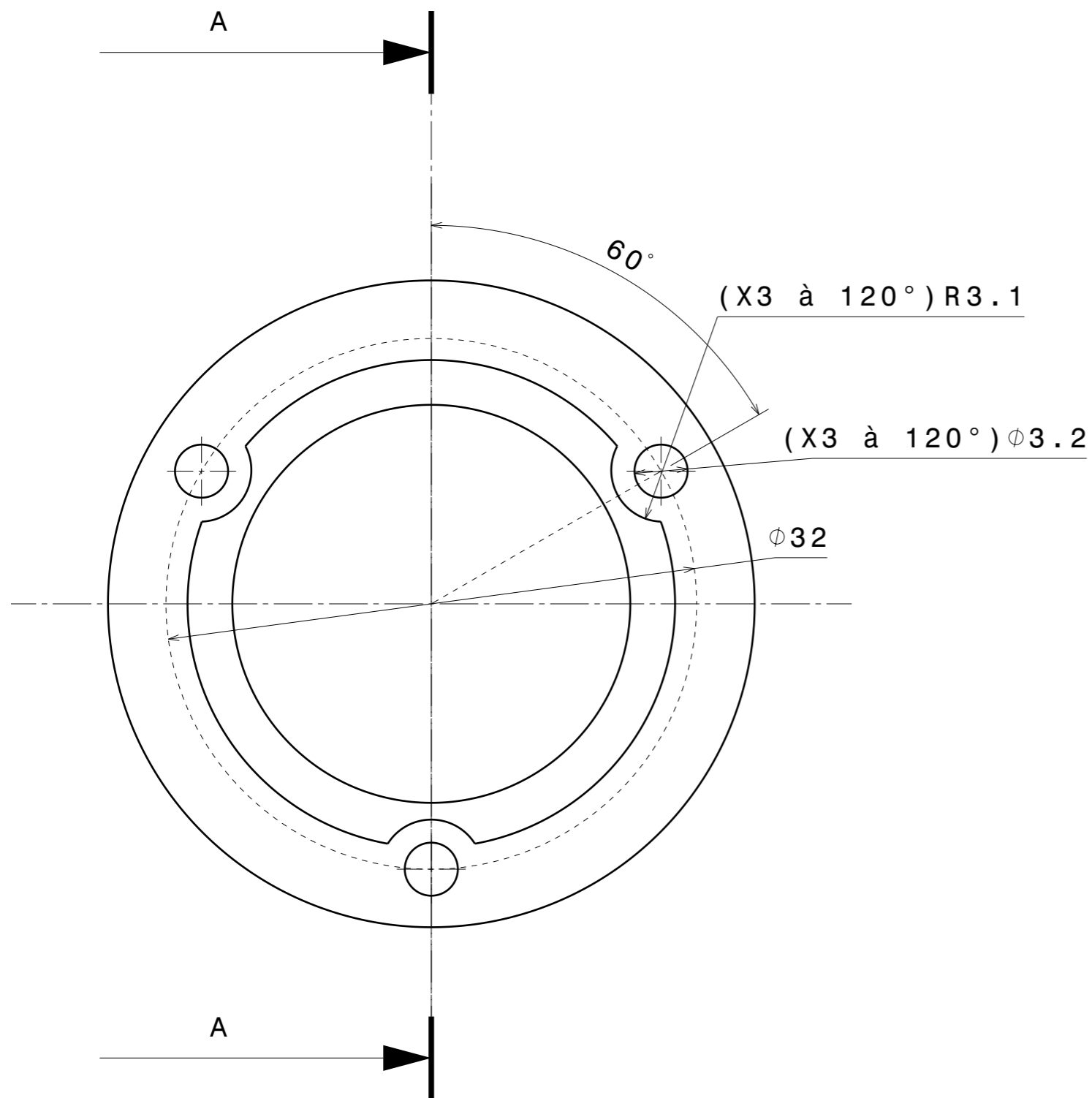


Coupe A-A


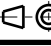



Ind.	Date	Modification		By
 <b>THOM-X</b> Monture Piezo Bague Support piezo		Gen. Tol.: -ISO 8015 -ISO 2768 class mH	Surface finish: -ISO 1302	Ra 1.6
		Material <b>INOX 316L</b>		
Drawn by		Dylan Le Claire	22/06/2017	
Checked by		Yann Peinaud	22/06/2017	
Approved by				
 <b>LABORATOIRE DE L'ACCELERATEUR LINEAIRE</b> Bat. 208, BP 34, 91898 ORSAY CEDEX Tel. +33 1 64 46 83 00		Scale	I74-3D-OC-028	Index
		2/1		A

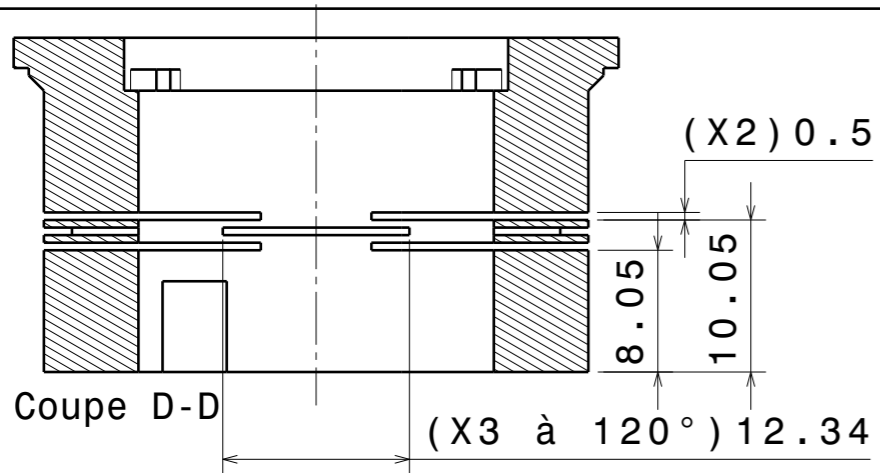
Communication or reproduction of this document, under any form, or any direct or indirect use of its content for production or other purposes is illegal without prior written authorization by its owner: the Centre National de la Recherche Scientifique. All rights reserved for patent or model application.



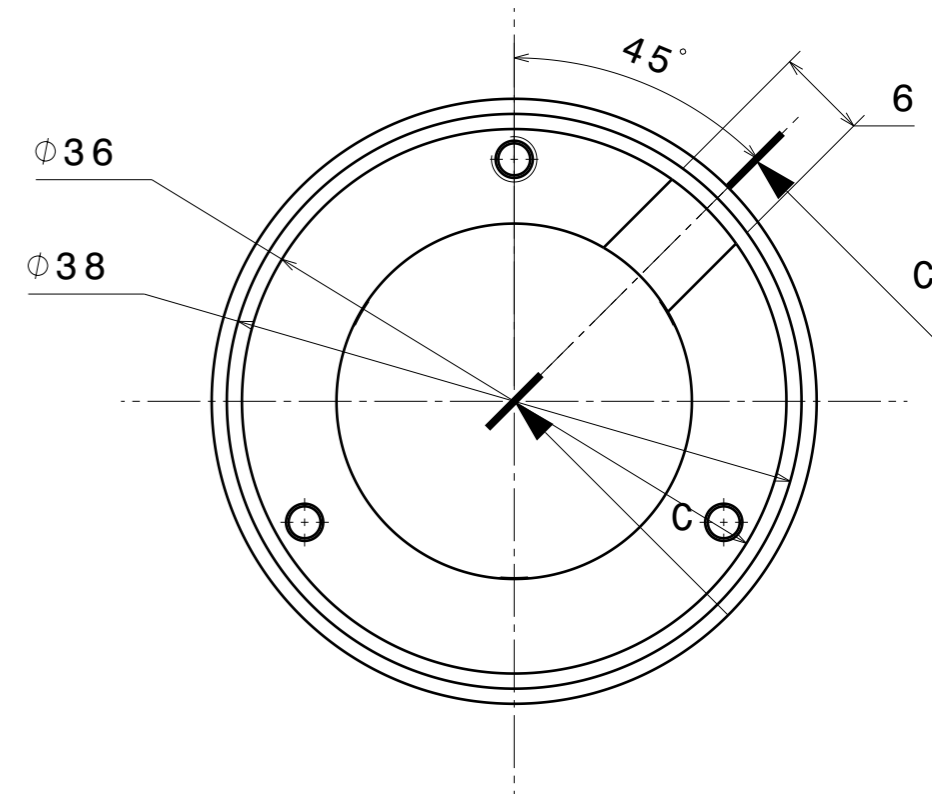
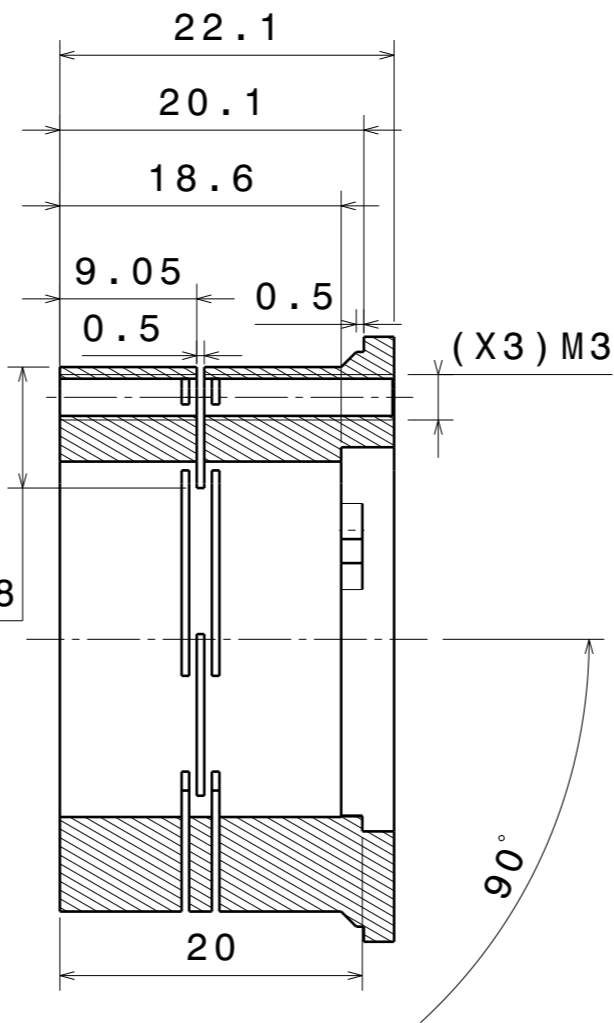
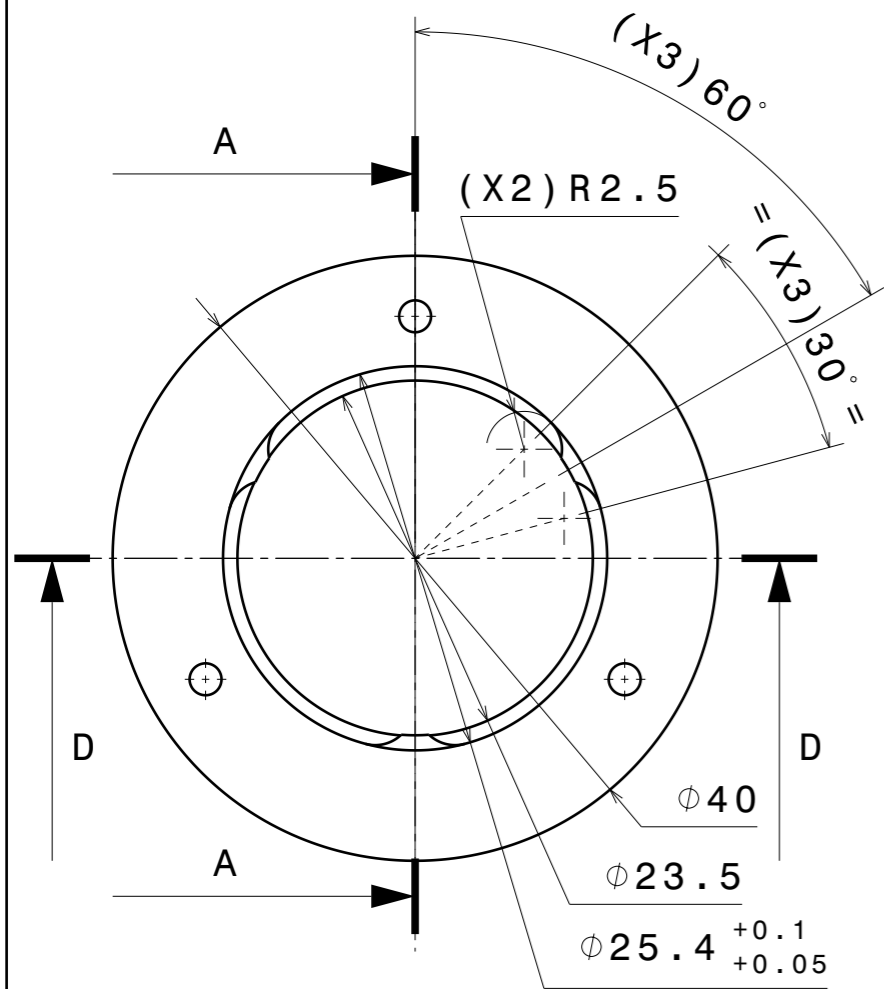
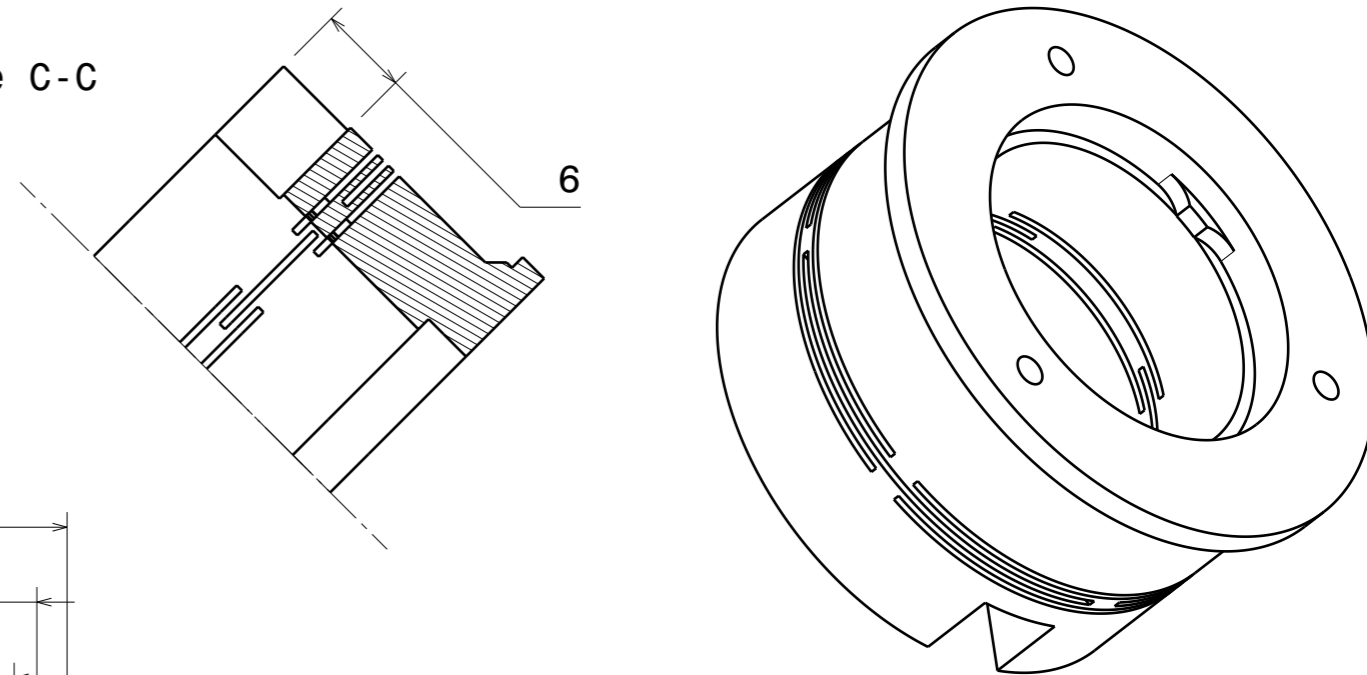
Coupe A-A

Ind.	Date	Modification	By
		<b>THOM-X</b> <b>Monture Piezo</b> <b>Bague Avant</b>	
Gen. Tol.: -ISO 8015 -ISO 2768 class mH		Surface finish: -ISO 1302 <b>Ra 1.6</b>	
Material ...			
Drawn by <b>Dylan Le Claire</b>		22/06/2017	
Checked by <b>Yann Peinaud</b>		22/06/2017	
Approved by			
 <b>LABORATOIRE DE L'ACCELERATEUR LINEAIRE</b> Bat. 208, BP 34, 91898 ORSAY CEDEX Tel. +33 1 64 46 83 00		Scale <b>3/1</b>	Index <b>A</b>
		<b>I74-3D-OC-029</b>	



Communication or reproduction of this document, under any form, or any direct or indirect use of its content for production or other purposes is illegal without prior written authorization by its owner: the Centre National de la Recherche Scientifique. All rights reserved for patent or model application.



Coupe C-C



Coupe A-A

Ind.	Date	Modification	By
		<b>THOM-X</b> <b>Monture Piezo</b> <b>Flex Z</b>	
		Gen. Tol.: -ISO 8015 -ISO 2768 class mH	Surface finish: -ISO 1302
Material		...	
Drawn by		Dylan Le Claire	22/06/2017
Checked by		Yann Peinaud	22/06/2017
Approved by			
		<b>LABORATOIRE DE L'ACCELERATEUR LINEAIRE</b> <b>Bat. 208, BP 34, 91898 ORSAY CEDEX</b> <b>Tel. +33 1 64 46 83 00</b>	
		Scale <b>2/1</b>	<b>I74-3D-OC-030</b>

Communication or reproduction of this document, under any form, or any direct or indirect use of its content for production or other purposes is illegal without prior written authorization by its owner: the Centre National de la Recherche Scientifique. All rights reserved for patent or model application.