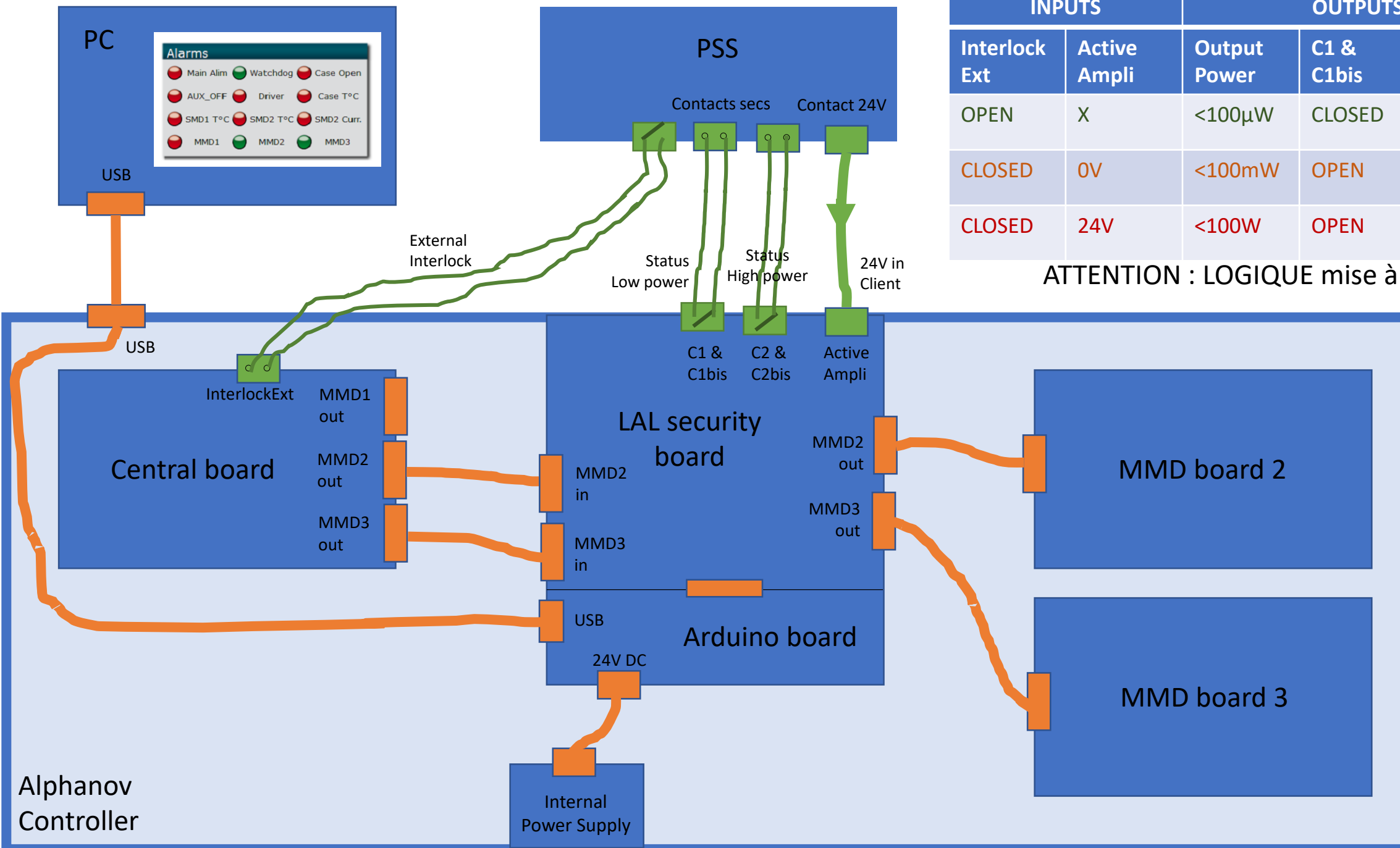


24V In Client => Relai 1 & 2 sur le soft (redundance)



INPUTS		OUTPUTS		
Interlock Ext	Active Ampli	Output Power	C1 & C1bis	C2 & C2bis
OPEN	X	<100μW	CLOSED	CLOSED
CLOSED	0V	<100mW	OPEN	CLOSED
CLOSED	24V	<100W	OPEN	OPEN

ATTENTION : LOGIQUE mise à jour